



COLORWAVE 600 SITE SURVEY

Order Number _____



Site Information

Customer Name: _____

Department: _____ Floor: _____ Room/Suite: _____

Address: _____

City: _____ State: _____ Zip: _____

Contact Name:(1) _____ Phone: _____ Ext: _____

Contact Name:(2) _____ Phone: _____ Ext: _____

Region: Branch: _____ Service Zone: _____

Inspection Date: _____ Requested Install Date: _____

Priority Message: _____

Other Comments: _____

Delivery Requirements

Is a certificate of Insurance required by building management to make a delivery or pick up? Yes No

Is a loading dock available? Yes No Delivery hours? _____ t
o _____

If Yes, what is the dock height? _____ Is the customer site tractor/trailer accessible? Yes No
Note: Tractor/Trailers can be 48' to 53' in length plus the cab

If not, list building entrance dimensions (list dimensions in inches) : Height: _____ Width: _____

Door Width: _____ Corridor Width: _____ Step Width: _____

of steps (outside): _____ # of steps (inside): _____

NOTE: Due to the dimensions and width of this machine, a stair crawler **CANNOT** be used.

Will an elevator be used? Yes No Elevator hours? _____ to _____

Elevator appointment required? Yes No If yes, contact name & phone: _____

Elevator Dimensions (in inches): Width: _____ Depth: _____ L
o _____

Elevator Door Opening (in inches): Height: _____ Width: _____

Customer to move fixed obstructions prior to installation unless special arrangements are made. Yes No

If "No", list specifics, contact and phone number: _____

Will floor protections be required: Yes No

Has the floor condition been confirmed satisfactory by the customer? Yes No

Current Equipment

REPLACEMENT EQUIPMENT

Make: _____ Model: _____ Serial Number: _____

To Be Removed By: _____

Special Instructions: _____

** If existing equipment is to be removed by Océ, additional labor will be invoiced at current published service rates.*

Environmental Considerations/Conditions

It is important that the ColorWave 600 product be installed in a room with appropriate dimensions. (See the space diagram). Should the room not meet the minimum space requirements, the installation will have to be authorized by the Region Sales Manager and the Region Service Manager.

Operating temperature (T) and relative humidity (RH)

	<u>Temperature</u>		<u>Humidity</u>
	°C	°F	%
Recommended	15-30	59-86	30-80 with no condensation

Room Volume and Ventilation

Printers = (15 m³/hr)

- Minimal room volume 530 ft³
- Minimal room ventilation 441 ft³/hour (natural ventilation)

ATTENTION

The Upper Unit is the largest box and *must* be able to move from the truck (A) to the final install area (B).

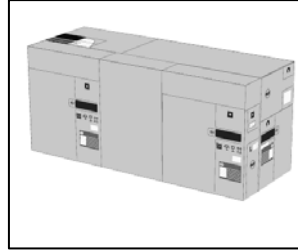
If the Upper Unit can fit, then all the other components will fit.

If the Upper Unit *cannot* travel along the path from (A) to (B), because it won't fit in a hallway, stairway or on an elevator (can be stood on end), then the printer cannot be installed.

**Standard
(Pre-Installed)**



**Non Standard
(Field Install)**



Logistical flow at customer

How is the logistical flow of the printer from truck to print room?

A) Can the system roll from truck to print room?

Dimensions of the printing system are:

L: 2100mm (83")

W: 700mm (27,5")

H: 1400mm (55")

If yes: **Standard Installation.**

If No because the track is too long or there are small obstacles: continue with B)

If No otherwise?: **Non Standard Installation.**

B) Can the system on a pallet being transported by a pallet truck from truck to print room.

L: 2270mm (89,5")

W:900mm(35,5")

H:1600mm (63")

If Yes: **Standard Installation.**

If No: **Non Standard Installation.**

Power plug and Ethernet connection

Power plug less than 13.12 ft (4 m) from to the printer. The position of the Power cable connection is: at the backside of the printer at the left-hand side.

Customer takes care of Ethernet cable.

The position of the Ethernet connection is: at the backside of the printer at the right-hand side

Space Requirements

A minimum floor space of 83" x 50" is required for Océ ColorWave 600 printer

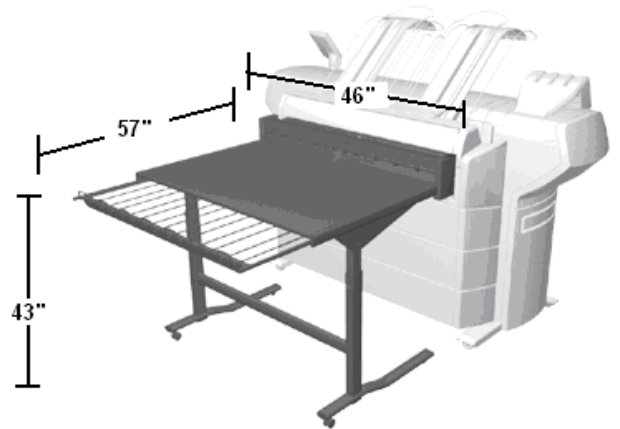
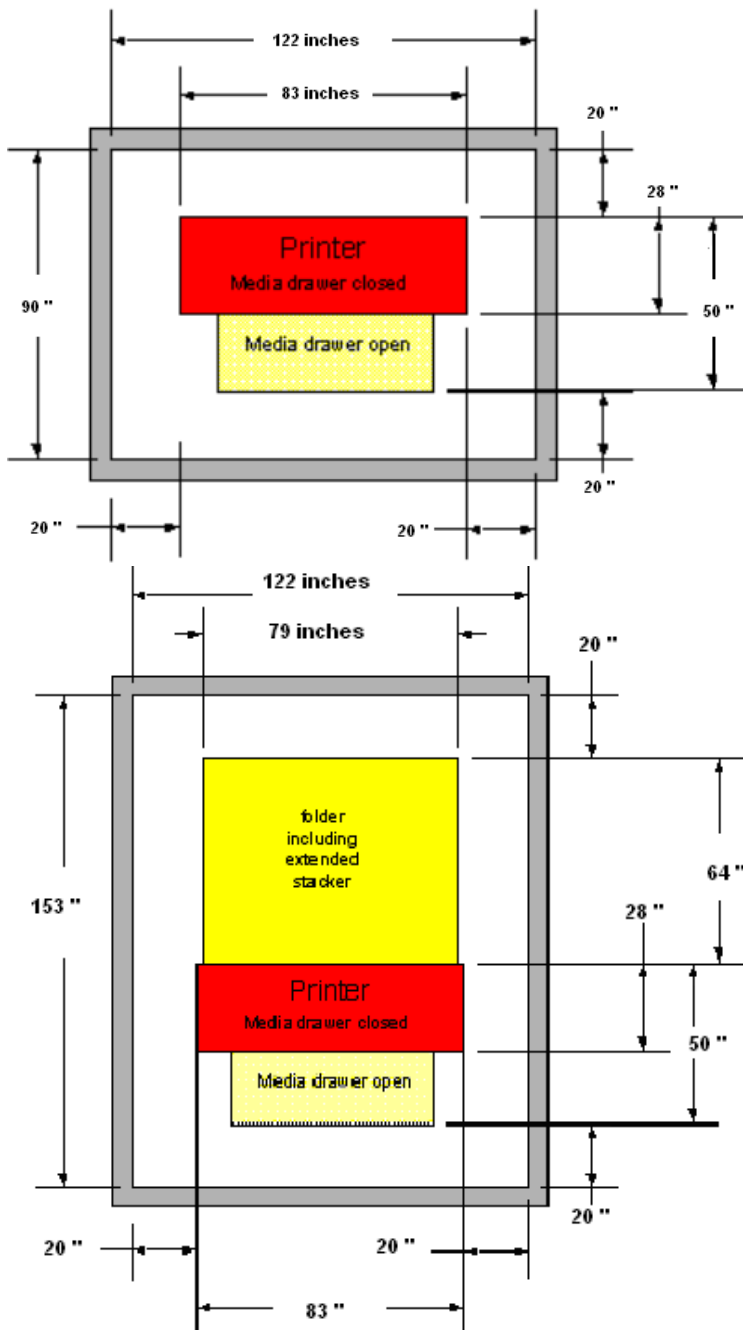
The working area needs to be 122" x 90" for a printer only

The working area needs to be 122" x 153" for a printer/ folder system

The ColorWave 600 should not be placed near a water boiler; humidifier or subject to ammonia fumes or direct sunlight. Do not place on a heavy wool or shag carpet. This could allow something to enter the printer and cause a fire.

CDT dimensions = 46"W x 43"H x 57"L

(57" deep with tray fully extended)



Electrical Requirements

Customer is responsible for providing the electrical requirements listed below prior to the machine installation. Electrical receptacles (as shown below) are required.

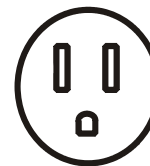
- 115 Volt 15 Amps for printer and CDT
- 3 Wire Ground 15 Amps for scanner
- 15 Amps for folder
- Electrical Supply must be a dedicated line



NEMA-5-15R for Printer and CDT



NEMA-5-15R for Scanner*



NEMA-5-15R for Estefold

* once available

The electrical service will be available on: _____

	Freq.	Voltage
System electrical supply Component		
Printer and CDT	60 Hz	115 V +/- 10%
Scanner	60 Hz	115 V +/- 10%
Folder	60 Hz	115 V +/- 10%

Power consumption

	Printer	Folder	Scanner	CDT
Active:	450 W	600W	110 W	<25W
Standby/Off:	6 W	10W	20 W	
Ready:	280 W			

Shipping Information

WEIGHTS (in lbs.) and DIMENSIONS (crated in inches):

Crated

Pallet QP3 596 lbs (9 separate boxes of varying weight and size all contained on one pallet and banded as a unit)

Pallet QP4 139 lbs Media drawers

Dimensions (LxWxH) Crated

QP3 90 X 36 X 49

QP4 56 X 29 X 49

Modules packed in box	L inches	W inches	H inches	Weight packed lbs
Upper unit	89	24	26	345 lbs
Frame lower left	32	11	32	Together: 89 lbs
Frame lower right	32	11	32	
Frame lower bar (no box)	58	60	20	
PowerM controller	20	11	15	19 lbs
Switching unit	23	14	11	20 lbs
Cut & receiving	56	24	16	80 lbs
Drawer 2-roll	56	28	11	106 lbs

Drawer 1-roll	56	28	11	93 lbs
	L	W	H	Weight packed
ColorWave 600	90	36	49	588 lbs
Drawer pallet with 4 boxes drawer 2-roll	56	29	49	448 lbs

Supplies

Océ TONER PEARLS

1060011491	Cyan
1060011492	Magenta
1060011490	Yellow
1060011493	Black

Key Operator

Key Operator (s) will be trained upon completion

Key Operator Name: _____ Phone/Ext: _____

Field Service

Installation Technician: _____ Number: _____

Primary Technician: _____ Number: _____

Back Up Technician: _____

Approval Signatures

Océ Representative: _____ Date: _____

Customer: _____ Date: _____

Field Service Manager: _____ Date: _____

**Please return completed form to your Branch Administrator
Notify your Region Administrator and COE (HQ) if any changes occur prior to installation date.**

**Return to: Océ North America, Inc.
Attn: Customer Order Entry (COE)
5450 N. Cumberland Ave.
Chicago, IL 60656
773-714-8500**